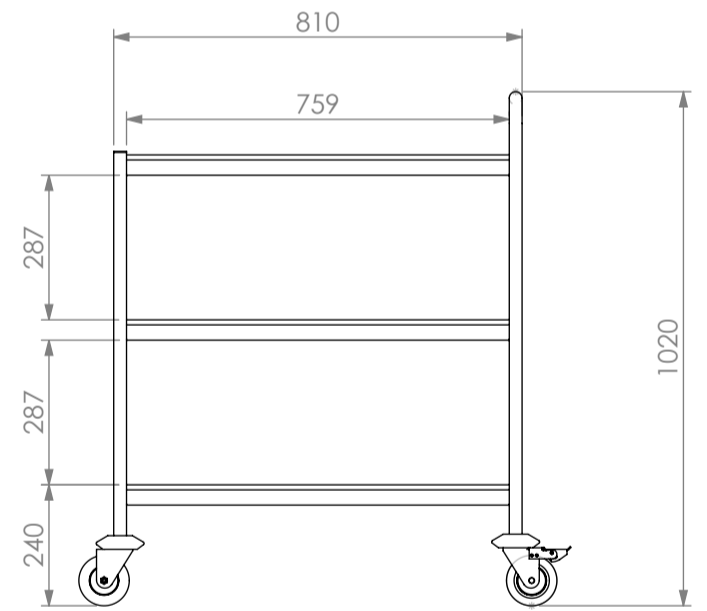




SIMPLY STAINLESS

Modular Sinks, Tables & Shelving



SPECIFICATION	
Tops	<ul style="list-style-type: none"> - High quality stainless steel. - 1.2mm gauge, no. 4 Finnish. - Safety edges.
Frames	<ul style="list-style-type: none"> - Ø25mm round stainless steel tube fully welded. - Castors Ø100mm grey rubber 2x locking & 2x non-locking.

15	Trolley 3-Tier			
	Product Code	Dimensions (mm)	Unit weight (Kg)	Load capacity (Kg)
	15-3	810x500x1020	20	120

